



Cod.1099/791

16MP 44X Super starlight AEW PTZ camera

TECHNICAL FEATURES

PTZ Camera

- Auto-Tracking Early Warning (AEW)
- Up to 1920x1080@60fps
- Min. illumination Color: 0.0008Lux@F1.5
- Optical zoom: 44x, digital zoom 16x

Panoramic Camera

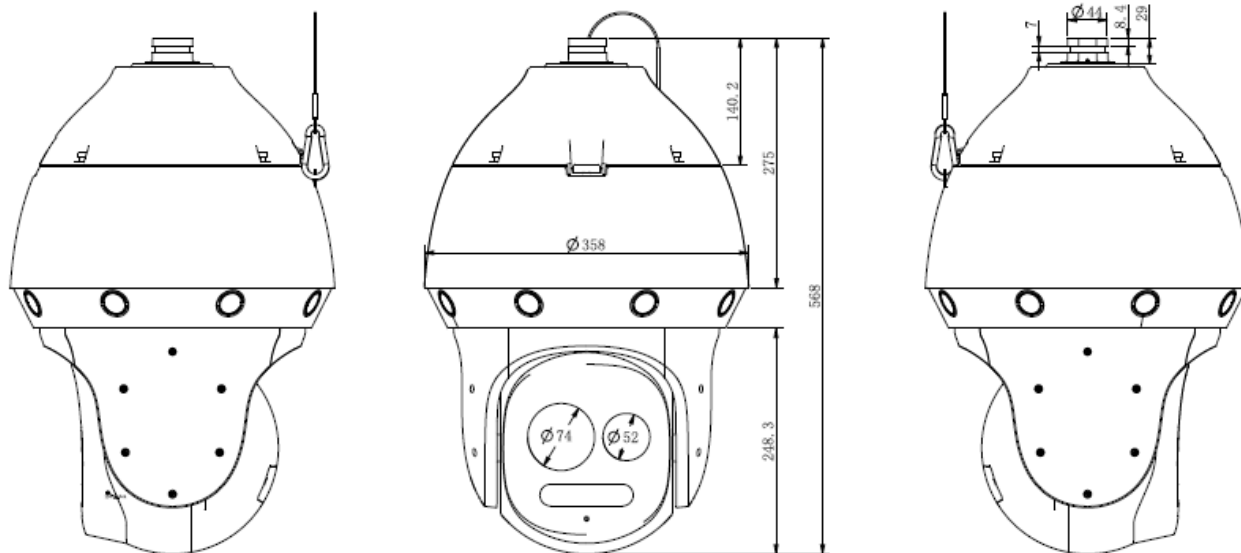
- Eight 1/1.8" CMOS
- Up to 4096x1800*2ch@30fps
- Horizontal: 360°, Vertical: 74°
- Built-in Speaker
- S+265/H.265/H.264/M-JPEG
- IP66

PTZ Camera	
Image Sensor	1/1.8" CMOS
Signal System	PAL/NTSC
Min. Illumination	Color: 0.0008lux@ (F1.5, ACG ON)
Shutter Time	1s to 1/100,000s
Day & Night	Dual IR Cut Filter
Wide Dynamic Range	140dB
Focal Length	6mm ~ 264mm, 44× optical lens
Digital Zoom	16×
Zoom Speed	<5s
Angle of View	Horizontal filed of view: 61.2° (w) ~ 2° (t)
Aperture Range	F1.5~F4.8
Pan Range	360°
Pan Speed	Pan Manual Speed: 0.1°~160°/s, Pan Preset Speed: 200°/s
Tilt Range	-16°~90° (Auto flip)
Tilt Speed	Tilt Manual Speed: 0.1°~120°/s, Tilt Preset Speed: 120°/s
3D Position	Yes
Presets	500
Preset Accuracy	±0.3°
Scan	8
Cruise	16, up to 32 presets per cruise
Pattern	8, each with 600s memory or 1000 orders
Power-off Memory	Yes
RS-485 Protocols	DOME_PELCO_D , DOME_PELCO_P , DOME_PLUS
Max. Resolution	1920x1080
Main Stream	PAL: 50fps (1920×1080, 1280×960, 1280×720) NTSC: 60fps (1920×1080, 1280×960, 1280×720)
Sub Stream	PAL: 25fps (704×576, 704×288, 352×288) NTSC: 30fps (704×480, 704×240, 352×240)
Third Stream	PAL: 25fps (1920×1080, 1280×960, 1280×720, 640×480, 704×576, 352×288) NTSC: 30fps (1920×1080, 1280×960, 1280×720, 640×480, 704×480, 352×240)
Panoramic Camera	
Image Sensor	1/1.8" CMOS
Signal System	PAL/NTSC
Min. Illumination	Color: 0.01lux@ (F2.2, ACG ON)
Shutter Time	1s to 1/100,000s
Focal Length	5mm
Aperture Range	F2.2
Angle of View	Horizotal: 360°, Verticle: 74°
Max. Resolution	4096x1800*2ch
Main Stream	PAL: 25fps 2x(4096×1800, 3840×1680, 2720×1192) NTSC: 30fps 2x(4096×1800, 3840×1680, 2720×1192)
Sub Stream	PAL: 25fps (704×320) NTSC: 30fps (704×320)
Third Stream	PAL: 25fps (1280×560) NTSC: 30fps (1280×560)
Illuminator	
IR LEDs	N/A
IR Range	N/A
White LEDs	4
Laser	Yes
Laser Distance	500m

Compression Standard	
Video Compression	S+265/H.265/H.264/M-JPEG
Video Bit Rate	32Kbps~16Mbps
Audio Compression	G.711A/G.711U/ADPCM/AAC
Audio Bit Rate	8K ~ 48Kbps
Feature	
Alarm Trigger	Harsh Voice Alarm, Motion Detection, Mask Alarm, Port Alarm, Network Disable Alarm, IP Conflict, MAC Conflict Detection
Video Analytics	Tripwire, Double Tripwire, Perimeter, Object Abandon, Object Lost, Loitering, Running, Parking, Face Detection, People Counting, Crowded, On Duty Detection, Video Abnormal, Audio Abnormal, Heatmap, Safety Helmet Detection
Early Warning(EW)	Yes
Auto-Tracking	Yes
Image Setting	Saturation, brightness, contrast, sharpness, adjustable by client software or web browser
Image Enhancement	BLC/3D DNR/HLC
ROI	7 Dynamic Areas for Both Main and Sub Stream, support auto-tracking ROI
OSD	16×16, 24×24,32×32, 48×48, 64×64, 96×96, adaptable size, Letters Such as Week, Date, Time, Total 5 Regions
Picture Overlay	Yes
Privacy Mask	Yes
Smart Defog	Yes
Network	
Protocols	TCP/IP, ICMP, HTTP, HTTPS, DHCP, DNS, DDNS, MULTICAST, UPnP, FTP, IPV4, NTP, RTSP, SMTP, IGMP, QoS, PPPoE
System Compatibility	ONVIF (PROFILE S), SDK, CGI, P2P
ANR	Auto store video in SD card when NVR disconnected, and upload video to NVR when resumed connection
Remote Connection	7
Client	Neius Control
Web Version	Web5
Interface	
Communication Interface	1 RJ45 10M/100M self adaptive Ethernet port
Audio	1/1
Alarm	8/2
Reset Button	Yes
On-board storage	Built-in Micro SD card slot, up to 128 GB
RS-485	Yes
BNC	Yes
Wiper	N/A
General	
Firmware Version	NVSS_V15.2.0.20180828
Web Client Language	11 languages English, Russian, Spanish, Korean, Italian, Turkish, Simple Chinese, Traditional Chinese, Thai, French, Polish
Operating Conditions	-30°C~65°C, 0-95%RH
Power Supply	AC24V±15%
Power Consumption	102W (IR OFF), 119W (IR ON)
Protection	IP66
Heater	N/A
Dimensions	Φ358x568mm
Weight	17kg

1099/791 16MP 44X Super starlight AEW PTZ camera

DIMENSIONS (mm)



ACCESSORIES



Wall Mount
Included



3000/148
Ceiling mount



3000/143
Pendant bracket



3000/144
Connector



3000/147
Pole adapter



3000/145
Corner adapter



3000/146
Junction box

Technical specifications are subject to changes without notice.

Urmet S.p.A. | Via Bologna, 188/C | 10154 TORINO (ITALY)

T +39 011.24.00.000

info@urmet.com | urmet.com

CUSTOMER SERVICE +39 011.23.39.810